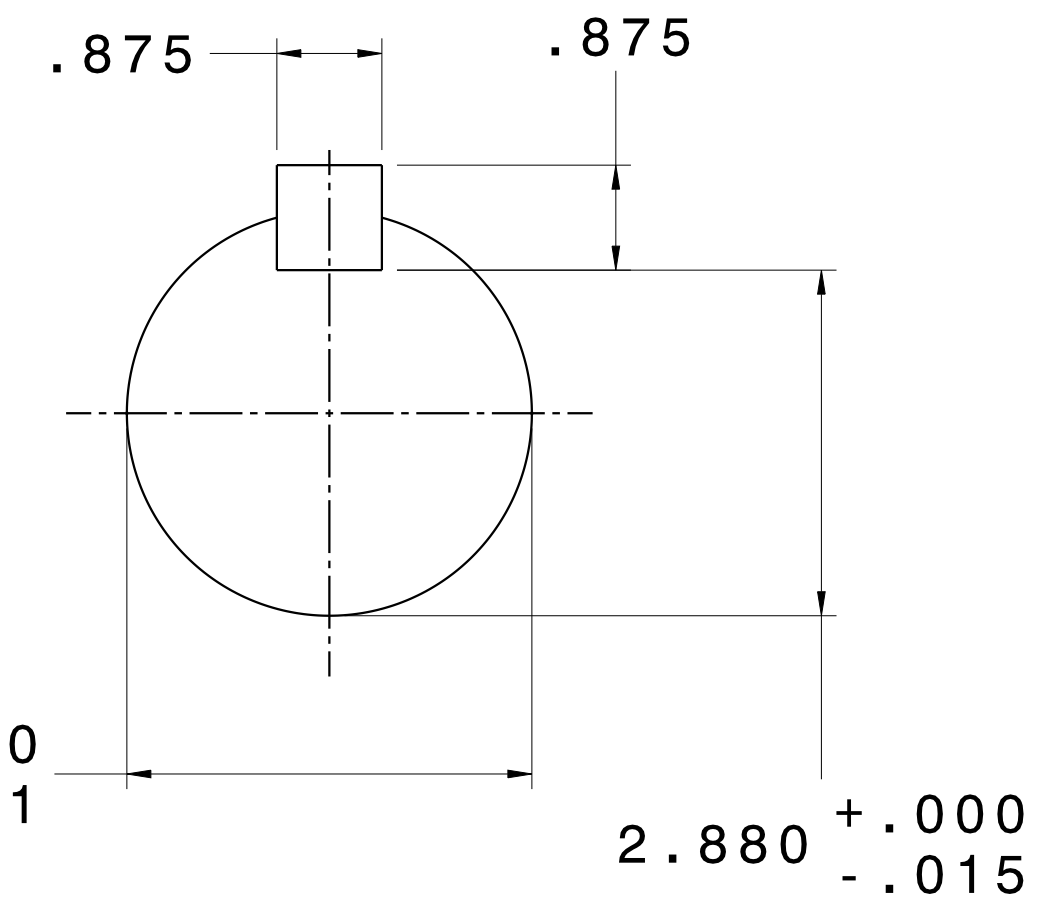
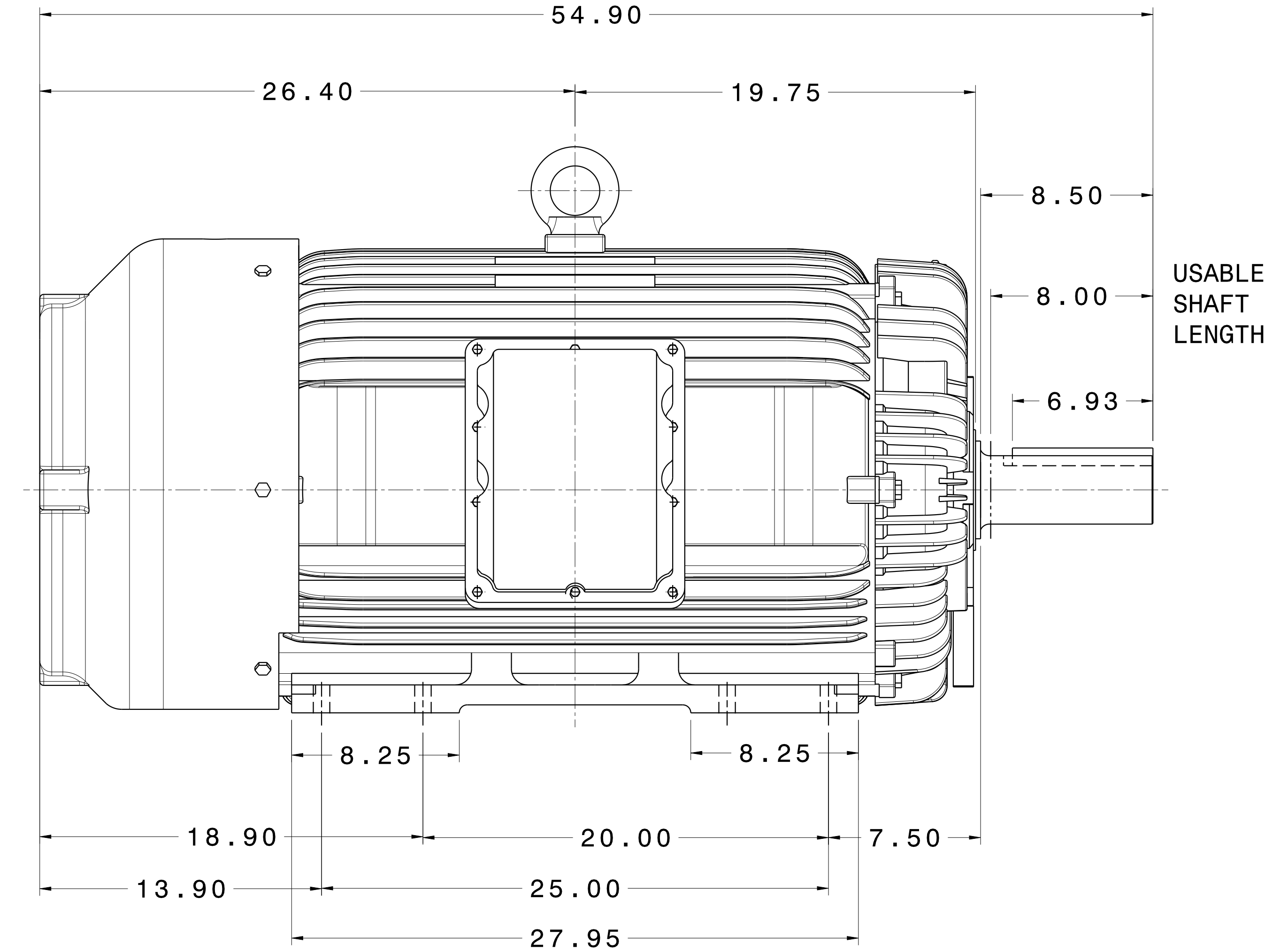
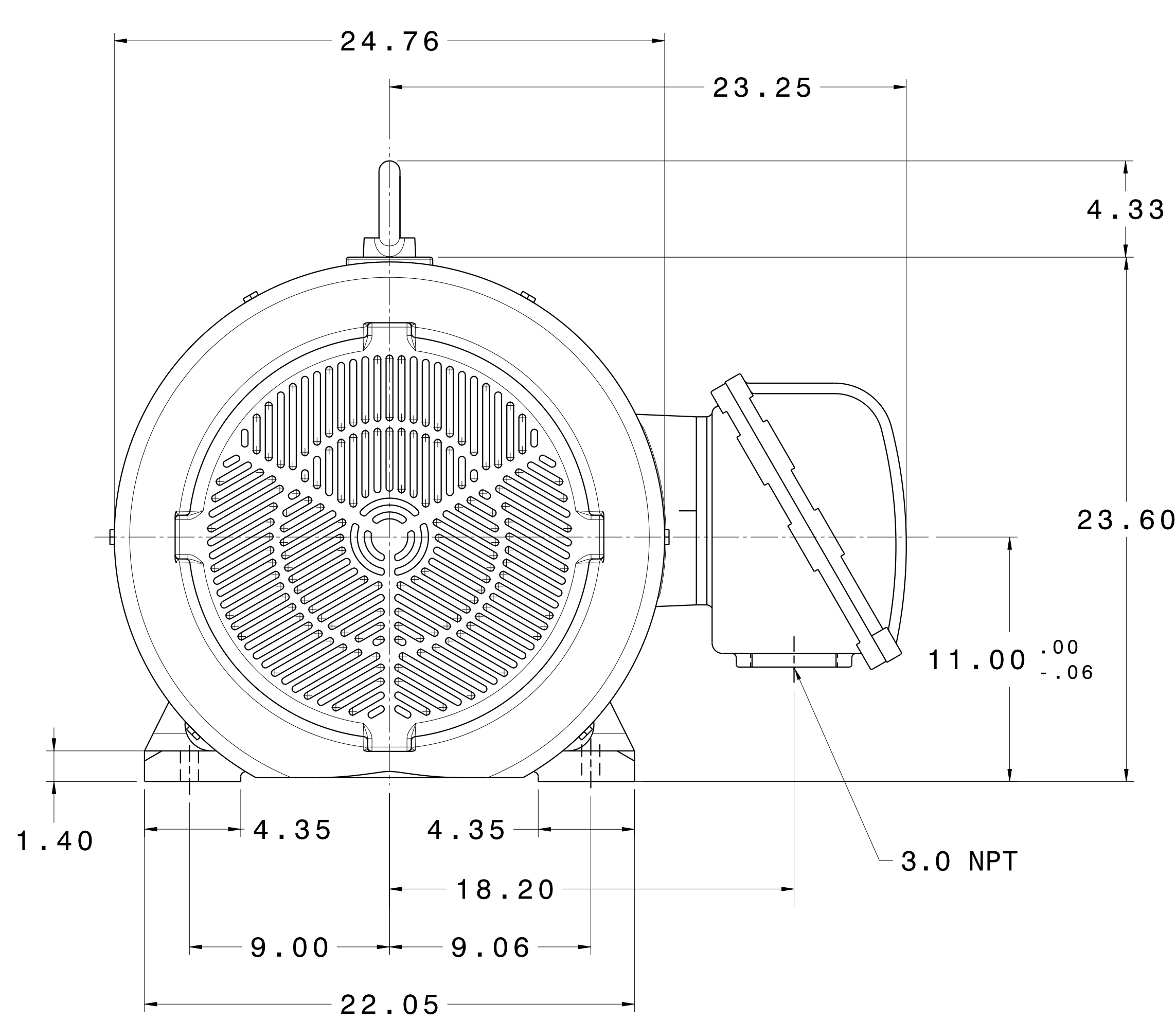


CATALOG #	TYPE	FRAME	OUTPUT		POLE	SYN. SPEED R.P.M.	VOLTAGE V.	Hz.	TIME RATING	INSULATION CLASS	SERVICE FACTOR	BEARINGS		WEIGHT LBS
			HP	KW								DE	NDE	
XP1508	AEHHXU	449T	150	112	4	900	460	60	CONT.	F	1.15	6320C3	6316C3	2880

TOTALLY ENCLOSED FAN-COOLED TYPE. SQUIRREL CAGE MOTOR



- NOTES:
1. DIMENSIONS IN INCH.
  2. ENCLOSURE: IP54.
  3. FOR DIRECT FLEXIBLE COUPLING.
  4. SUITABLE FOR DIVISION I, CLASS I, GROUP D AND CLASS II, GROUPS E,F,G.

REV. DATA	TECO Westinghouse		REV NO
	3-PHASE INDUCTION MOTOR OUTLINE DIMENSIONS		01
REF:	DWN C. COOK		DWG NO.
	TECO-WESTINGHOUSE MOTOR COMPANY		XP1508
ROUND ROCK, TEXAS		USA	APPR REV A